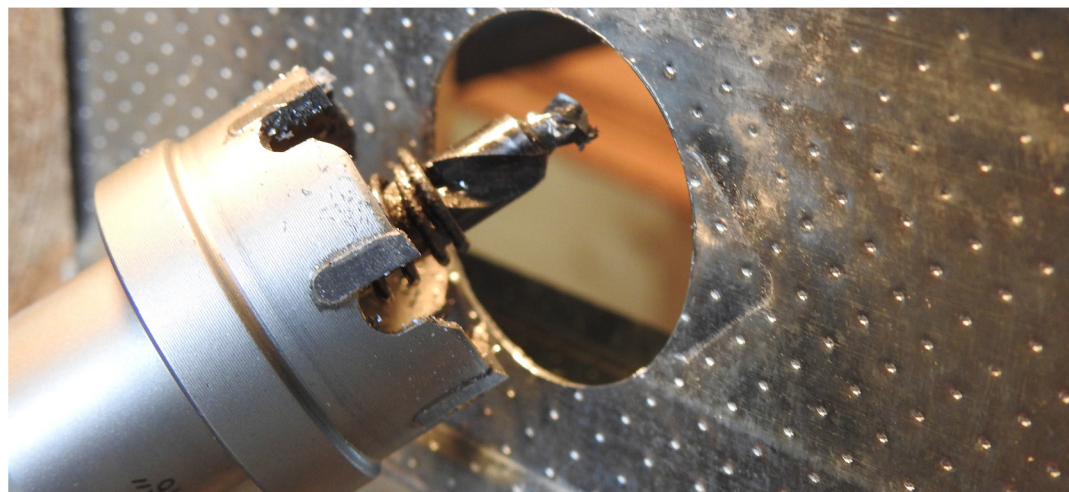
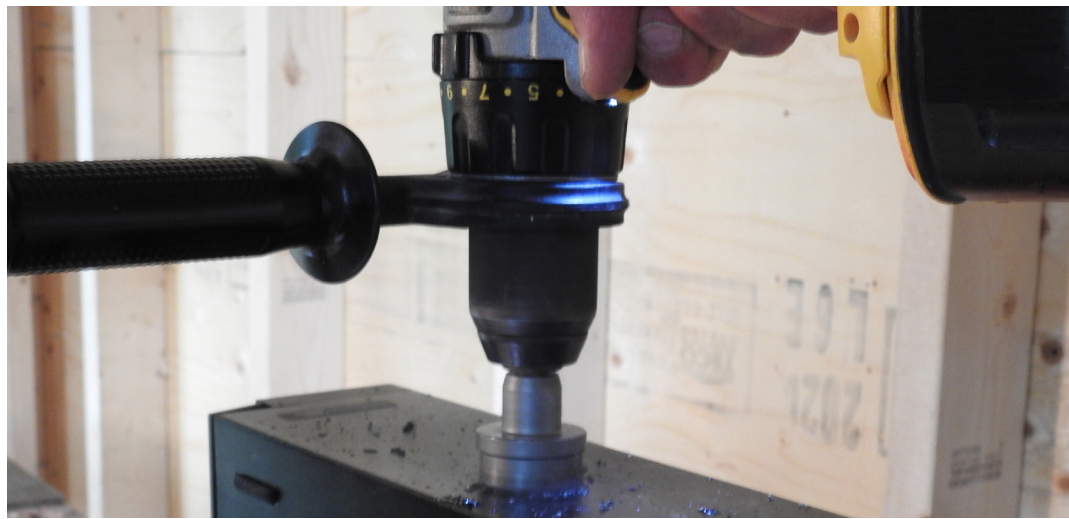




DRILLCO
CUTTING TOOLS

TUNGSTEN CARBIDE TIPPED HOLE CUTTERS



PLUMBERS • ELECTRICIANS • MECHANICS
GENERAL CONTRACTORS • HVAC TECHS • DIY'ERS

TCT Hole Cutter 3/16" Depth

TUNGSTEN CARBIDE TIPPED (TCT) Fractional

PACKAGING:

All sizes are individually packaged. Sizes up to 3" have a tab for hanging on a wall display.

9500CT - For Thin Material

3-FLAT SHANK

Drillco's line of carbide tipped hole cutters are ideal for drilling large diameter holes in both ferrous and non-ferrous materials. The 9500CT is ideal for thinner material up to 3/16" thick such as sheet metal, steel, aluminum, copper, plastics, brass, cast iron, and the difficult to machine stainless steel.

Drillco's TCT Hole Cutters are an excellent performing, cost effective alternative to bi-metal hole saws. Their portability makes them ideal for a wide range of professionals including electricians, plumbers, HVAC technicians, mechanics, general contractors, installers, DIY'ers and more.

Diameters 9/16" to 2.5/8" have a 3/8" shank; 2.11/16" to 4" have a 1/2" shank.

Tungsten carbide teeth are made in Europe using premium grade carbide. These ultra-hard teeth increase performance and tool life.



Size	9500CT EDP No.	Size	9500CT EDP No.	Size	9500CT EDP No.
9/16"	95CT136	1-1/2"	95CT232	2-7/16"	95CT328
5/8"	95CT140	1-9/16"	95CT236	2-1/2"	95CT332
11/16"	95CT144	1-5/8"	95CT240	2-9/16"	95CT336
3/4"	95CT148	1-11/16"	95CT244	2-5/8"	95CT340
13/16"	95CT152	1-3/4"	95CT248	2-11/16"	95CT344
7/8"	95CT156	1-13/16"	95CT252	2-3/4"	95CT348
15/16"	95CT160	1-7/8"	95CT256	2-13/16"	95CT352
1"	95CT164	1-15/16"	95CT260	2-7/8"	95CT356
1-1/16"	95CT204	2"	95CT264	2-15/16"	95CT360
1-1/8"	95CT208	2-1/16"	95CT304	3"	95CT364
1-3/16"	95CT212	2-1/8"	95CT308	3-1/4"	95CT416
1-1/4"	95CT216	2-3/16"	95CT312	3-1/2"	95CT432
1-5/16"	95CT220	2-1/4"	95CT316	3-5/8"	95CT440
1-3/8"	95CT224	2-5/16"	95CT320	3-3/4"	95CT448
1-7/16"	95CT228	2-3/8"	95CT324	4"	95CT464

SET

Size	9500CT EDP No.
6pc Set: 7/8", 1", 1-1/8", 1-3/8", 1-3/4", 2" + Two Pilot Drills	95CT6S

SPARE PARTS

Item	9500CT EDP No.
HSS Pilot Drill 4.35mm	95CT001
M6 Screw	95CT002
Spring M8.5 x 20mm	95CT003
Allen Wrench	95CT004

TCT Hole Cutter 1" Depth

TUNGSTEN CARBIDE TIPPED (TCT) Fractional

PACKAGING:

All sizes are individually packaged. Sizes up to 2.5/8" have a tab for hanging on a wall display.

9600CT - For Thick Material

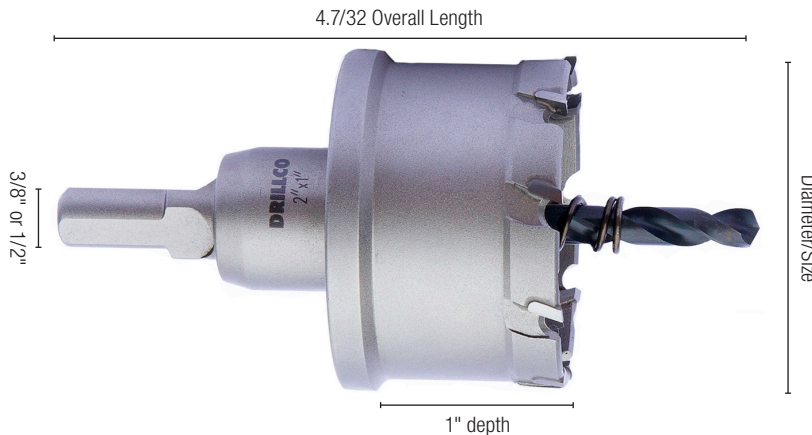
3-FLAT SHANK

Drillco's line of carbide tipped hole cutters are ideal for drilling large diameter holes in both ferrous and non-ferrous materials. The 9600CT is ideal for thicker material up to 1" thick such as steel plate, aluminum, copper, plastics, brass, cast iron, and the difficult to machine stainless steel.

Drillco's TCT Hole Cutters are an excellent performing, cost effective alternative to bi-metal hole saws. Their portability makes them ideal for a wide range of professionals including electricians, plumbers, HVAC technicians, mechanics, general contractors, installers, DIY'ers and more.

Diameters 9/16" to 2.5/8" have a 3/8" shank; 2.11/16" to 4" have a 1/2" shank.

Tungsten carbide teeth are made in Europe using premium grade carbide. These ultra-hard teeth increase performance and tool life.



Size	9600CT EDP No.	Size	9600CT EDP No.	Size	9600CT EDP No.
9/16"	96CT136	1-3/8"	96CT224	2-3/8"	96CT324
5/8"	96CT140	1-7/16"	96CT228	2-1/2"	96CT332
11/16"	96CT144	1-1/2"	96CT232	2-5/8"	96CT340
3/4"	96CT148	1-9/16"	96CT236	2-3/4"	96CT348
13/16"	96CT152	1-5/8"	96CT240	2-7/8"	96CT356
7/8"	96CT156	1-11/16"	96CT244	3"	96CT364
15/16"	96CT160	1-3/4"	96CT248	3-1/4"	96CT416
1"	96CT164	1-13/16"	96CT252	3-1/2"	96CT432
1-1/16"	96CT204	1-7/8"	96CT256	3-5/8"	96CT440
1-1/8"	96CT208	1-15/16"	96CT260	3-3/4"	96CT448
1-3/16"	96CT212	2"	96CT264	4"	96CT464
1-1/4"	96CT216	2-1/8"	96CT308	4-1/2"	96CT532
1-5/16"	96CT220	2-1/4"	96CT316		

SET

Size	9600CT EDP No.
6pc Set: 9/16", 5/8", 11/16", 3/4", 7/8", 1-1/16" + Two Pilot Drills	96CT6S

SPARE PARTS

Item	9600CT EDP No.
HSS Pilot Drill 6mm	96CT001
M6 Screw	96CT002
Spring M8.5 x 35mm	96CT003
Allen Wrench	96CT004

SPEED RECOMMENDATIONS

Cutter Size	Aluminum	Copper	Steel	Stainless Steel	Alloy Steel	Non-Metallic Material
Revolution Per Minute (RPM)						
< 13/16"	1500-1800	800-1000	700-1000	700-800	700-900	1500-1800
13/16" - 1.3/16"	1500-1800	800-1000	700-800	400-600	600-700	1500-1800
1.7/32" - 1.9/16"	1500-1800	800-1000	500-600	350-450	450-500	1500-1800
1.5/8" - 2"	800-1000	600-800	400-500	250-400	300-400	1000-1500
2.1/16" - 2.3/8"	600-850	400-600	300-400	200-300	200-300	800-1000
2.7/16" - 3"	400-600	200-400	150-200	150-200	150-200	500-800
> 3"	200-400	100-200	100-150	100-150	100-150	5000-80

DRILLING RECOMMENDATIONS

- Inspect the hole cutter to ensure it is properly assembled and complete before use.
- To operate, use cutters on an electric hand drill, impact drill (rotary type), drill press or similar. Consult your power drill manufacturer's manual to see RPM ranges on low and high settings.
- Let the tool do the work! When beginning the drilling process, use a lower feed rate. Do not apply too much pressure or force onto the cutter or you may damage the carbide teeth.
- During operation, ensure the revolving speed is not too slow. This will help to prevent locking which can damage the tool.
- Shanks have 3-flats to reduce slippage in the chuck. Shank sizes of Drillco's TCT Hole Cutters are as follows: 9/16" to 2.5/8" have 3/8" shank; 2.11/16" to 4" have a 1/2" shank.
- Can be used in a wide range of materials including aluminum, copper, steel, alloy steel, stainless steel, brass, and non-metallic materials such as plastics
- To ensure optimal performance and extend tool life, a cutting fluid should always be used. Drillco offers a wide range of sizes and styles of environmentally safe heavy-duty cutting fluid.



*Cutting tools may shatter.
Always wear proper safety glasses.*



WARNING: This product can expose you to chemicals including Cobalt, which is [are] known to the State of California to cause cancer. For more information go to www.P65Warnings.ca.gov

13011 S. Choctaw Dr.
Baton Rouge, LA 70815

Toll Free Phone: 800-851-3821
Toll Free Fax: 800-315-9225
Mon-Fri: 7 a.m. to 5 p.m. (Central)
sales@drillco-inc.com

Find us on:



Proud member of:

